

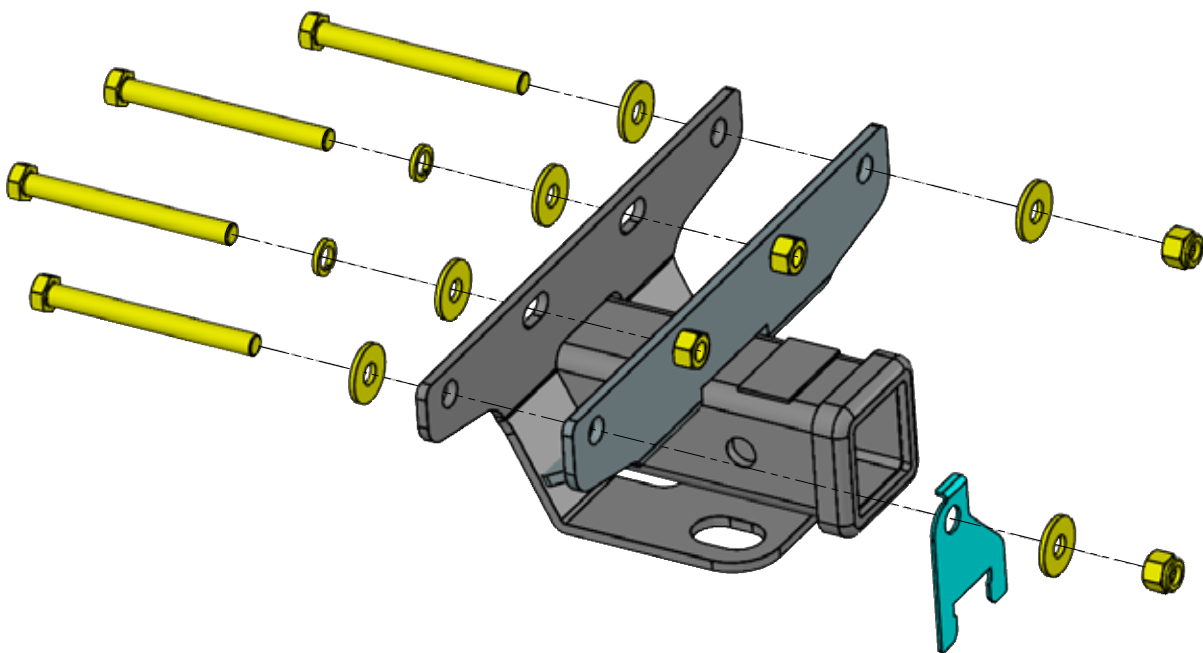


# INSTALLATION GUIDE

## TB077JL

TOWBAR

TO SUIT JEEP WRANGLER JL 2018+



- Installation time: Approximately 0.5 hours



Viewing this on your phone or tablet?

Take a screenshot of the QR code and download a QR scanner app on your device. Use this screenshot within the app to access the video.

TB077JL/130721

### IRONMAN 4X4 PTY LTD. CLASS 3 TOWBAR

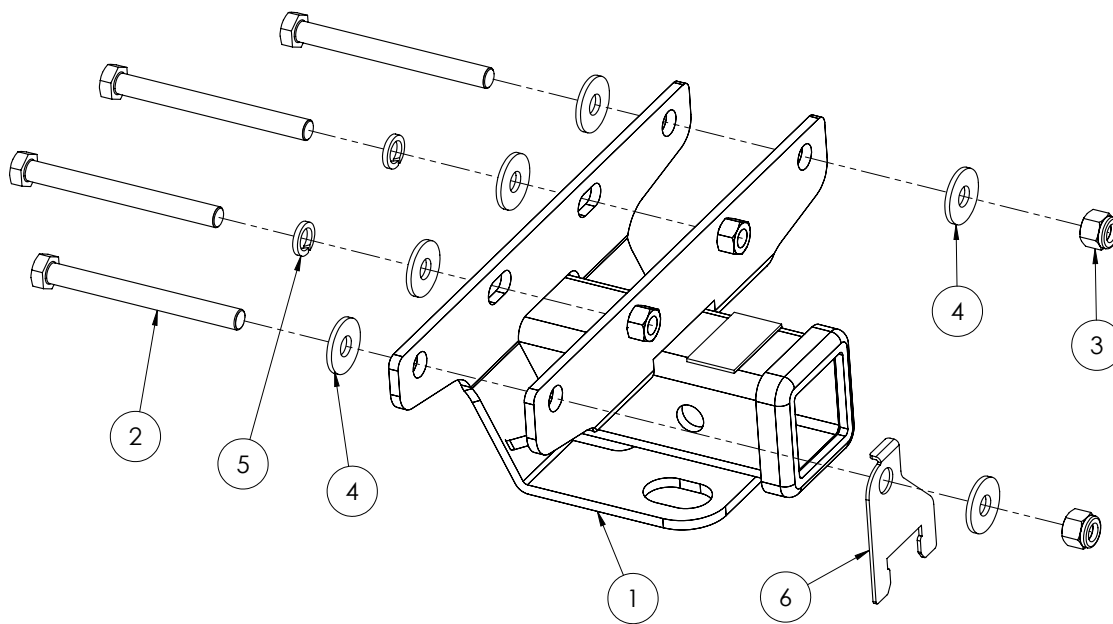
MAXIMUM TOWING WEIGHT 3500lb (1587kg)  
MAXIMUM TOWBALL WEIGHT 350lb (158kg)

DO NOT EXCEED VEHICLE MANUFACTURERS  
TOW CAPACITY  
REFER TO VEHICLE OWNERS MANUAL FOR MAXIMUM  
PERMISSIBLE TOWING LOADS

TB077JL



# Part List



Part	Quantity
1. Tow Bar Assembly	1
2. Hex Head Bolt M12x120	4
3. Hex Nut M12	2
4. Flat Washer M12x32x3	6
5. Spring Washer M12	2
6. Spacer	1

# Tools Required

<p>Metric and Imperial Spanner Set</p>	<p>Metric and Imperial Socket Set</p>	<p>PPE</p>
--	---------------------------------------	------------

# Bolt Tension Chart

Grade	TORQUE	BOLT SIZE				
		M6 x 1	M8 x 1.25	M10 x 1.25	M12 x 1.25	M14 X 1.5
8.8	Nm	10.5	25	49	88	140
	ft/lb	7.7	18	36	64	103

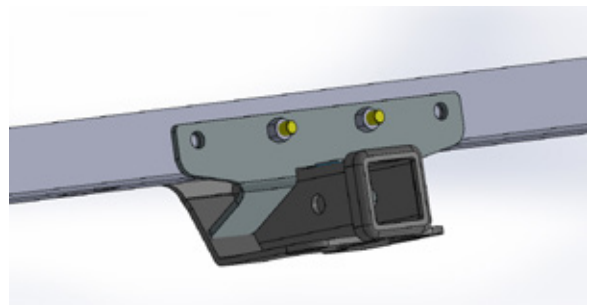
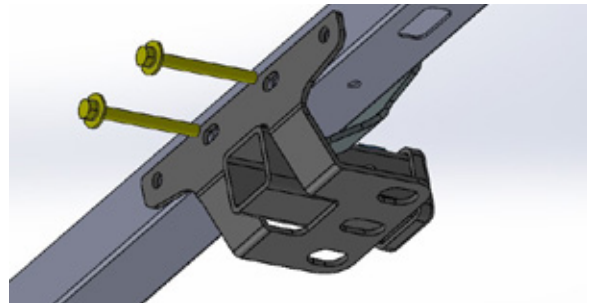


1. Confirm items received are suitable for the correct vehicle make, model and year.

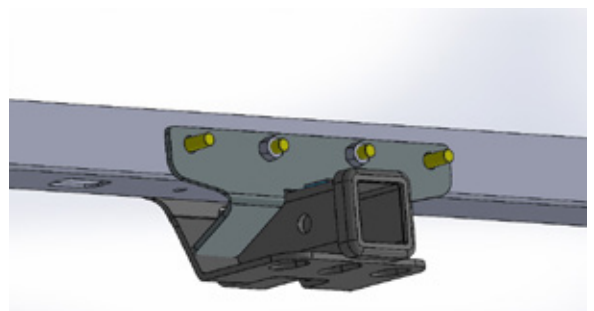
2. Lift towbar over the rear cross member, and align the holes on the hitch with the holes on the vehicle.

**NOTE:** Various models may have a plate with welded nut on it. You are required to slide the hitch between the bracket and mounting tube, and secure hitch in place.

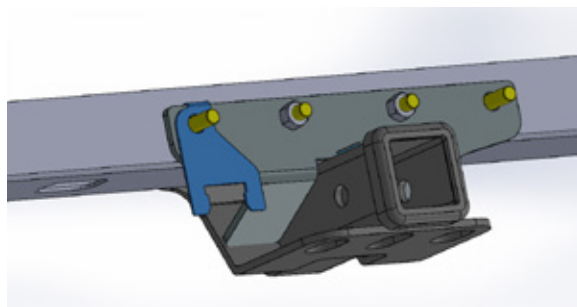
3. Using 2 x M12 Bolts and 2 x M12 washers secure the towbar in place feeding the bolts from the from the vehicle into the welded nuts on the towbar but do not tighten.



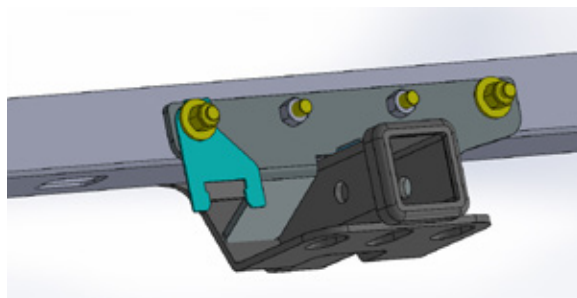
4. Locate the holes out the outside of the towbar bracket and install 2 x M12 bolts and 2 x M12 washers the same as Step 5.



5. Fit trailer harness bracket onto the outermost left bolt with location tap facing forward over the top of the tow bar.



6. Using 2 x M12 Nuts and 2 x M12 Spring Washers to the outermost bolts.



7. Fasten all hardware.

