



**Installation  
Instructions**  
Part No. UCA056FA

## **To Suit: Toyota / Lexus**

- Landcruiser 200 Series
- LX570

## **Kit Contains:**

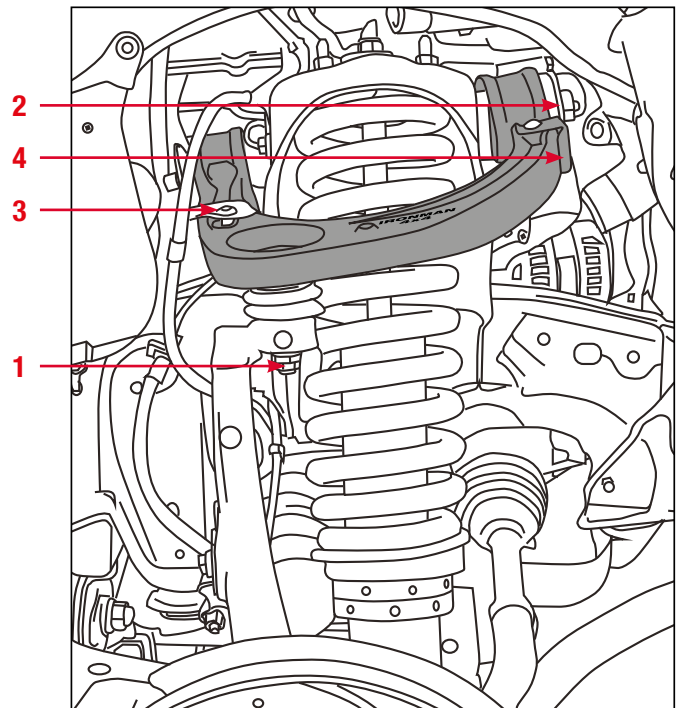
- 1 x Left Upper Control Arm
- 1 x Right Upper Control Arm
- 2 x Split Pins
- 2 x Castellated Nuts
- 2 x AHC Bracket

**Installation Time:** 1 1/2 to 2 Hours, inc Wheel Alignment

*Professional wheel alignment is required*

- 1.** Safely raise and support vehicle on hoist or jack and stands.
- 2.** Remove front wheels / tyres.
- 3.** Loosen long upper control arm mounting bolt (2).
- 4.** Unbolt and remove ABS brake wire bracket (3).
- 5.** Remove split pin and separate ball joint from upright. (1) Use a ball joint breaker / remover tool to release ball joint from taper.
- 6.** Remove long mounting bolt (2) and arm from vehicle. It may be necessary in some vehicles to remove the battery to allow long bolt to be removed.
- 7.** If vehicle is fitted with AHC, disconnect pivot arm (4).
- 8.** Install new Pro-Forge Control Arm into vehicle, insert long mounting bolt and existing mounting hardware, but DO NOT tighten at this stage.
- 9.** Connect ball joint to upright, nut should be tightened firm, but not over tight. Align nearest nut castellation slot with split pin hole by tightening direction, not loosening.
- 10.** Insert split pin, then bend ends over nut to avoid loosening. Never re-use or bend a split pin more than once.
- 11.** Re-install ABS brake wire bracket to arm. Repeat procedure for both sides of the vehicle.
- 12.** If vehicle is fitted with AHC (Active Height Control) mount the provided sensor bracket and adjust accordingly.
- 13.** Re-install wheels / tyres, lower vehicle to the ground.
- 14.** With the vehicle on flat level ground at final ride height, tighten the long mounting bolt (2) and tension to 115N/m (85 ft/lb).
- 15.** Check all fasteners and ensure clearance around all components.

Fig 1





**Installation  
Instructions**  
Part No. UCA056FA

## **Wheel Alignment**

A strong understanding of wheel alignment procedure is required. Ironman 4x4 recommends wheel alignment be carried out by a trained alignment professional only.

Ironman 4x4 Pro-Forge Upper Control Arms will significantly change the wheel alignment settings by comparison to the OEM arm, for the purpose of correcting alignment after raising ride height.

Adjustments to Camber, Caster and Toe will be required.

Using the lower control arm eccentric cams, in most instances set alignment within the following range, or according to OEM specification.

Caster: +2.7° to +3.7°

Camber: +0.8° to -0.5°

Toe: +2.0mm to -0.5mm

A high caster setting will aid in providing additional clearance to mud flaps when fitting larger tyres.

Always set wheel alignment settings in relation to tyre wear for each individual vehicle.

---

***Warranty will be voided by damage or failure caused by incorrect procedure.***

***Before proceeding to install Pro-Forge Upper Control Arms, please fully read instructions and ensure that necessary tools are on hand.***

***Professional Wheel Alignment Required.***

***Always wear personal safety protection ie. safety glasses and gloves to prevent injury.***