



FRONT DIFFERENTIAL DROP KIT

**Installation
Instructions**
Part No. IDD100

To Suit Toyota Landcruiser 100 IFS

Kit Contains:

- 1 x Drop Crossmember
- 2 x (65 x 20 x 15.5mm I/D) Steel Spacers
- 3 x (25 x 20 x 8.5mm I/D) Steel Spacers
- 1 x (70 x 22 x 9mm I/D) Nylon Spacers
- 2 x (30 x 21 x 9.5mm I/D) Nylon Spacers
- 1 x (M14 x 1.5 x 140mm) Bolt
- 1 x M14 Spring Washer
- 6 x (M8 x 1.25 x 40mm) Bolts
- 6 x M8 Flat Washers
- 6 x M8 Spring Washers

Original Crossmember Removal

1. Safely raise and support vehicle on hoist or jack and stands.
2. Remove original underbody protection plates.
3. Support front differential with jack or stands, remove original crossmember bolts (x 4).
4. Remove LHS differential support bolt from cross member and remove original cross member from the vehicle.
5. Remove RHS differential front support bolt, washer and spacer.
6. Remove M14 differential rear support bolt. Keep hardware as it will be re-used later.
9. Using new supplied M14 x 1.5 x 140mm Bolt and M14 spring washer, install together with original large washer and nut removed from rear support (Step 6) and new 65 x 20 x 15.5mm I/D spacer between the chassis and rear differential support.
10. Install LHS differential support bolt.
11. Tension all fasteners as per below:
Rear Support Bolt: 185 N/m
4 x Crossmember Mounting Bolts: 68 N/m
Front Support Bolts: 185 N/m
12. Re-install front metal underbody plate using new supplied 70 x 22 x 9mm I/D spacer together with M8 x 1.25 x 40mm bolt, flat washer and spring washer in the centre hole location.

Installation

7. Install new drop crossmember into position using original hardware (4 bolts).
8. Install M14 bolt removed from rear support, re-use in front RHS support together with 65 x 20 x 15.5mm I/D round spacer.

The differential will need to be lowered into the new position.

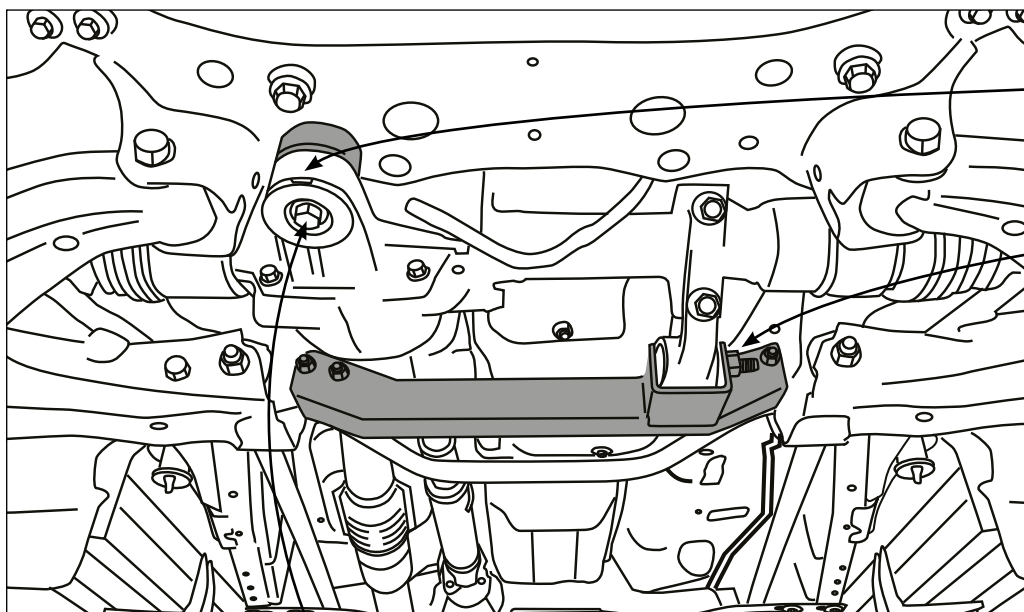
Leave all bolts finger tight at this stage.
13. Install (3) 25 x 20 x 8.5mm I/D spacers at the front 3 mounting bolt locations.

Install (2) 30 x 21 x 9.5mm I/D spacers at the side (2) underbody mounting holes.

Secure all underbody mounts with new supplied M8 x 1.25 x 40mm bolts, flat washers and spring washers. Tension to 30 N/m.
14. Re-install original plastic underbody cover.

Fig 1

FRONT VIEW



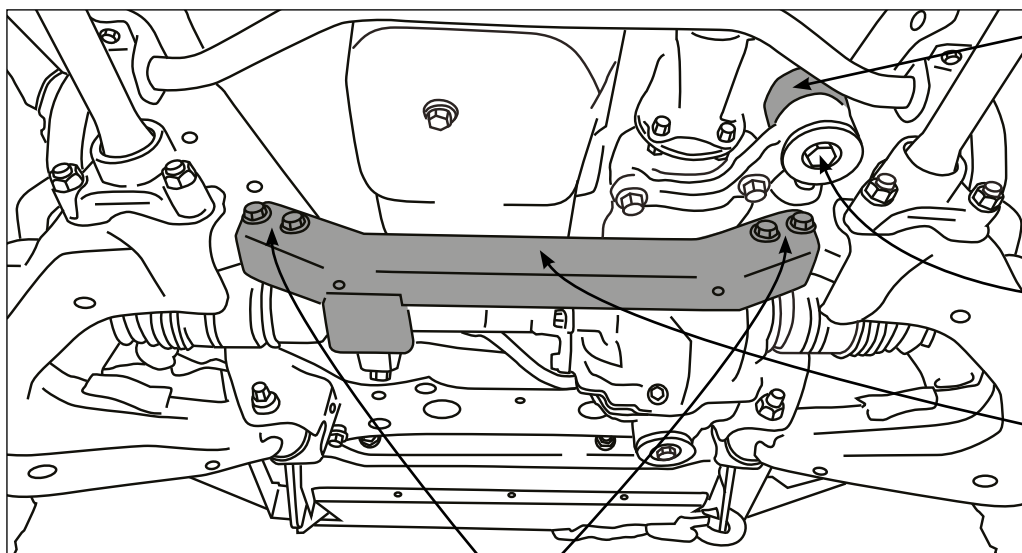
65 x 20 x 15.5 Spacer

LHS Differential Front Support Bolt

RHS Differential Front Support Bolt

Fig 2

REAR VIEW



65 x 20 x 15.5 Spacer

Differential Rear Support Bolt

Drop Crossmember

Crossmember Bolts

Warranty will be voided by damage or failure caused by incorrect procedure. Before proceeding to install Front Differential Drop Kit, please fully read instructions and ensure that necessary tools are on hand.

Always wear personal safety protection ie. Safety glasses and gloves to prevent injury.